

WSD Wind Speed and Direction Sensor

This product is suitable for measuring wind speed, wind direction or both. It can be used for automatic window closure in high wind conditions or general monitoring applications with BMS systems.

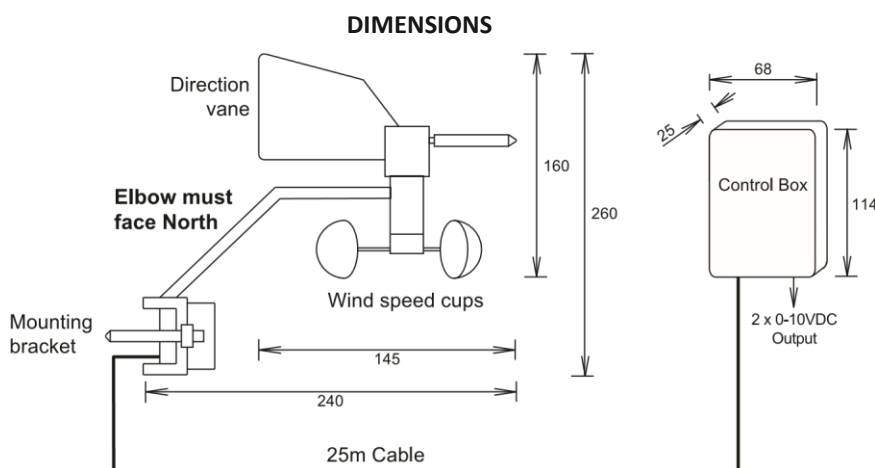
The 0-10vdc output signal is linear for both wind speed & direction.

Max Ambient $-20/+70^{\circ}\text{C}$

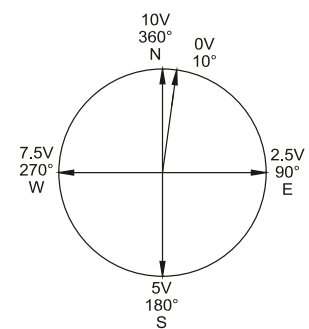
A bracket is provided suitable for mounting onto a mast of diameter between 30 - 50mm.

Flammability: Anodised aluminium alloy UPVC & Stainless Steel assembly with polypropylene cups.

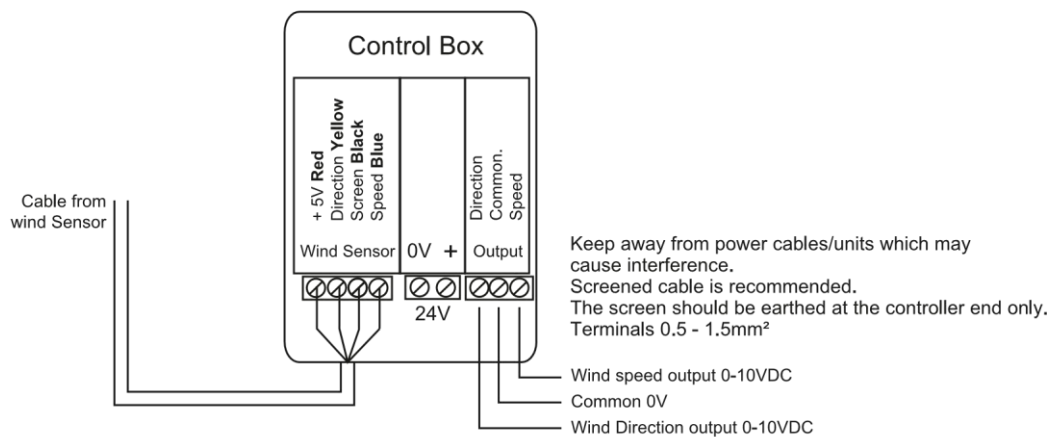
Electrical connection 25m 4-core screened cable supplied as standard. This can be extended up to 200m Max. Consumption 40mA Max.



EXAMPLE: WIND DIRECTION



WIRING DIAGRAM



Supplied with the control box which converts the sensor signal to a standard 0-10 volt output signal.

Technical Data

Type	EWSD-10	
Application	Wind speed	Direction
Supply $\pm 15\%$	24VAC/DC	
Range	0 - 50 m/s	0 - 360°
Output 2 x 0 - 10VDC	0 - 10VDC	0V = 10° 5V = 180° (South) 10V = 360° (North)
Start Speed Approx.	<0.5 m/s	<0.5 m/s
Typical Accuracy	$\pm 5\%$ or 1.5 m/s	5° typical (10° worst)
Resolution	< 0.5 m/s	<1°
Protection	IP65 Sensor	IP30 Control Box

INSTALLATION:

The unit should be mounted to a mast with a diameter of between 30-50 mm with the supplied V-shaped clamp and bracket. Situate the unit in a clear site which is most representative of the area to be monitored.

Avoid extremes i.e. hilltops which may indicate increased wind speeds, or valleys and in close proximity to trees and buildings which may indicate decreased wind speeds due to shielding.

Several sensor heads can be installed to give spatial coverage and thus achieving more precise results.

Ensure the elbow points NORTH using a compass or gently rotate the vane until 0° or 357° is indicated on a suitable measuring instrument, as this will represent North. Fix and tighten the bracket at this position.