

Data Sheet

RTS/CO₂ Room Temperature and CO₂ Sensor

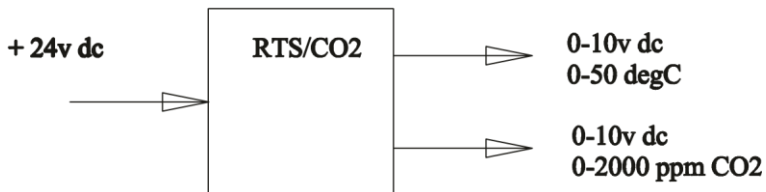
RTS/CO₂ Room Temperature and CO₂ Sensor

The sensor is an attractive modern wall mounted sensor that looks stylish in any home, classroom or office.

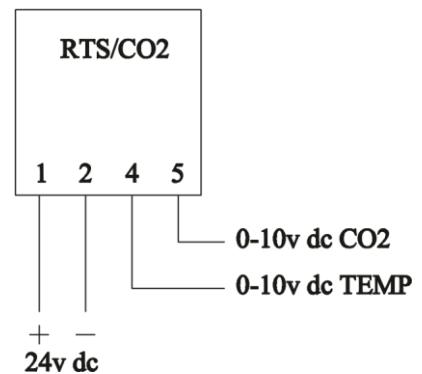
The two part clip together housing makes for easy installation and commissioning, the rear part can be wired and checked then the front part containing the electronics is simply clipped on. The sensor measures temperature and carbon dioxide (CO₂) and outputs 0-10v dc signals to be read by a control system, monitoring system or building management system. It can be supplied with or without an LED digital display which alternately displays temperature in °C and CO₂ in parts per million (ppm).



SCHMATIC



WIRING DIAGRAM



Data Sheet

RTS/CO₂ Room Temperature and CO₂ Sensor

Technical Data

Measuring values	
Carbon dioxide	0 – 2000 ppm
Output	0 – 10v dc
Accuracy at 20°C	+/- 50 ppm +2% of measured value
Response time	< 90 sec
Temperature dependence	typically 2 ppm CO ₂ /°C
Long term stability	typically 20 ppm per year
Sample rate	15 seconds
Measurement principle	Non-Dispersive Infrared Technology
Temperature	0 – 50°C
Output	0 – 10v dc
Measurement principle	Thermistor
Accuracy at 20°C	+/- 0.3°C
Power requirements	15 - 35v dc (or 24v ac +/- 20%) 10mA + output
Warm up time	5 minutes
Digital Display	LCD alternating temperature and CO ₂
Electrical Connection	Screw terminals max 1.5mm ² (16AWG)
Working environmental range	0 – 90% RH (non condensing) -5 to +55°C
Storage environmental range	0 – 90% RH (non condensing) -20 to +60°C

Housing

Material	Polycarbonate	
Protection class	IP30	
Colour of housing	Rear RAL 7035 light grey Front RAL 9003 signal white	
Dimensions	85mm (w) x 100mm (h) x 26mm (d)	
Electromagnetic	EN61326-1	FCC Part 15
Compatibility	EN61326-2-3	ICES-003 Class B

The above information describes the standard sensor. Other versions are available as follows:-

CO ₂ range	0 – 5000 ppm
Relative humidity	0 – 90% RH
Switching output	1A at 50v ac or 30v dc
Current outputs	4 – 20mA